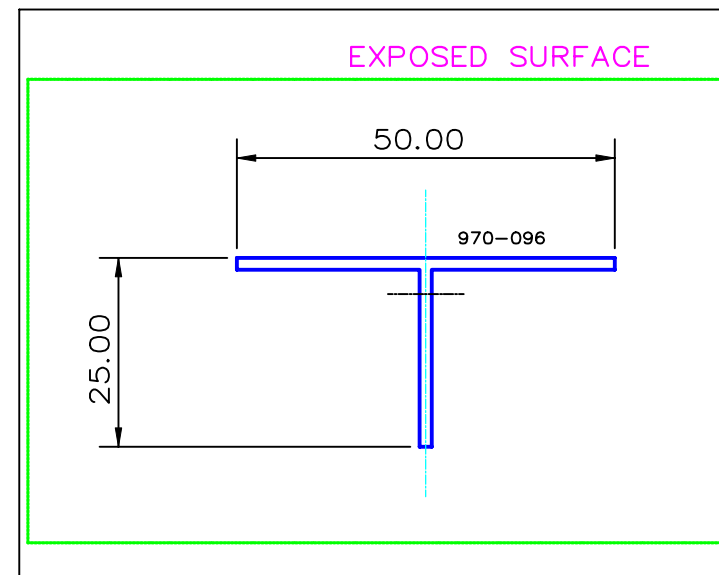


970-096
SECTION NO.



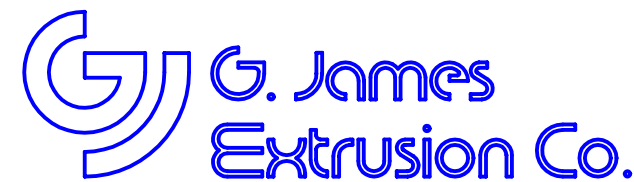
MOMENTS OF INERTIA:
 $I_{xx} = 5710 \text{ mm}^4$
 $I_{yy} = 16675 \text{ mm}^4$

1.60 TYP WALL THICKNESS
UNLESS OTHERWISE SPECIFIED

0.40 RADIUS ON ALL OUTSIDE CORNERS
UNLESS OTHERWISE SPECIFIED

EXTRUDED FINISH : ARCHITECTURAL

AREA	117.4	SQ MM
WEIGHT	0.318	KG M
PERIMETER	150.0	MM
ANOD PERIM	150.0	MM
PAINT PERIM	150.0	MM
C CIRCLE DIA	50	MM
FACTOR	471	
ALLOY	6060	
TEMPER	T5	



A.C.N 010 828 234
 1082 KINGSFORD SMITH DRIVE, EAGLE FARM, QUEENSLAND, 4009
 PO BOX 1376, EAGLE FARM BC, 4009
 PHONE : (07) 3877 2833 FAX : (07) 3877 2890

CUSTOMER			
G.JAMES			
CUSTOMER PART NAME		NO.	
50x25x1.6 T. SECTION			
SCALE		TOLERANCES IN ACCORDANCE WITH AS 1866-1986 APPLY UNLESS OTHERWISE SPECIFIED	
1:1			
DRAWN	CHECK	DATE	DWG. NO.
A.T		03/02/93	970-096

NO	DATE	DR	REVISION