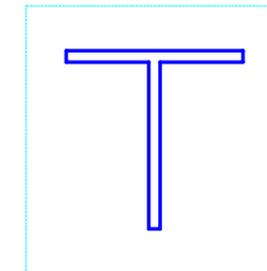
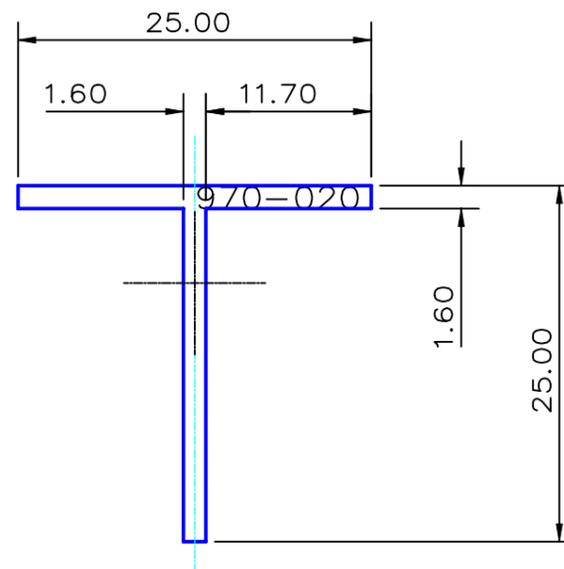


970-020
SECTION NO.



EXPOSED SURFACE
ACTUAL SIZE

MOMENTS OF INERTIA:
 $I_{xx} = 4739 \text{ mm}^4$
 $I_{yy} = 2091 \text{ mm}^4$

0.40 RADIUS ON ALL OUTSIDE CORNERS
UNLESS OTHERWISE SPECIFIED

EXTRUDED FINISH : ARCHITECTURAL

			AREA 77.4 WEIGHT 0.210 PERIMETER 100.0 ANOD PERIM 100.0 PAINT PERIM 100.0 C CIRCLE DIA 31 FACTOR 477 ALLOY 6060 TEMPER T5	SQ MM KG M MM MM MM	 A.C.N 010 828 234 1082 KINGSFORD SMITH DRIVE, EAGLE FARM, QUEENSLAND, 4009 PO BOX 1376, EAGLE FARM BC, 4009 PHONE : (07) 3877 2833 FAX : (07) 3877 2890	CUSTOMER G.JAMES		
						CUSTOMER PART NAME NO. 25 x 25 x 1.6 T SECTION		
					SCALE 2:1	TOLERANCES IN ACCORDANCE WITH AS 1866-1986 APPLY UNLESS OTHERWISE SPECIFIED		
NO	DATE	DR	REVISION		DRAWN JSO	CHECK	DATE 25/01/93	DWG. NO. 970-020