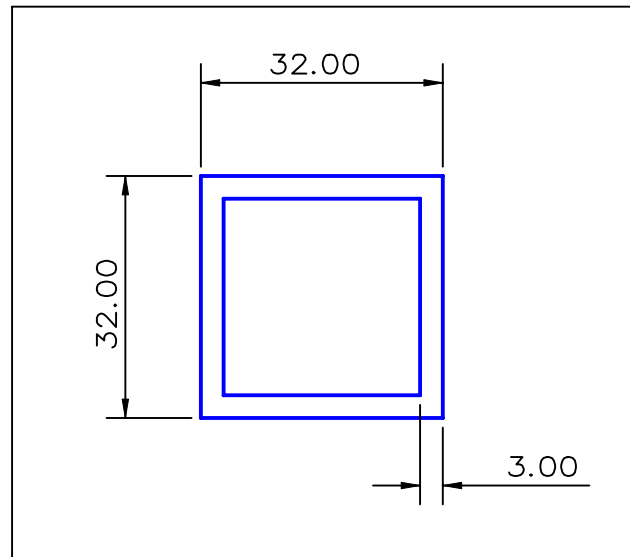


SECTION NO.
930-050



TOTAL SURFACE EXPOSED

SECTION DATA:
 $I_{xx} = 49\,300 \text{ mm}^4$
 $I_{yy} = 49\,300 \text{ mm}^4$
 $\text{Theta} = 1.0^\circ$
 $\text{RadG}_x = 12. \text{ mm}$
 $\text{RadG}_y = 12. \text{ mm}$
 $X_{\text{Left}} = 16.0 \text{ mm}$
 $X_{\text{Right}} = 16.0 \text{ mm}$
 $Y_{\text{Top}} = 16.0 \text{ mm}$
 $Y_{\text{Bot}} = 16.0 \text{ mm}$
 $Z_{xx\text{top}} = 3\,081 \text{ mm}^3$
 $Z_{xx\text{bot}} = 3\,081 \text{ mm}^3$
 $Z_{yy\text{left}} = 3\,081 \text{ mm}^3$
 $Z_{yy\text{right}} = 3\,081 \text{ mm}^3$

0.40 RADIUS ON ALL OUTSIDE CORNERS
UNLESS OTHERWISE SPECIFIED

EXTRUDED FINISH : ARCHITECTURAL

			A	AREA 348.0 SQ MM WEIGHT 0.943 KG M PERIMETER 232.0 MM ANOD PERIM 128.0 MM PAINT PERIM 128.0 MM C CIRCLE DIA 45. MM FACTOR 246. ALLOY 6063 TEMPER T6	 A.C.N 010 828 234 1082 KINGSFORD SMITH DRIVE, EAGLE FARM, QUEENSLAND, 4009 PO BOX 1376, EAGLE FARM BC, 4009 PHONE : (07) 3877 2833 FAX : (07) 3877 2890	CUSTOMER G. JAMES EXTRUSION Co.	
					CUSTOMER PART NAME NO. 32 X 3 SQUARE BOX		
					SCALE 1:1	TOLERANCES IN ACCORDANCE WITH AS 1866-1986 APPLY UNLESS OTHERWISE SPECIFIED	
NO	DATE	DR	REVISION		DRAWN A. T	CHECK DATE 06/03/87	DWG. NO. 930-050