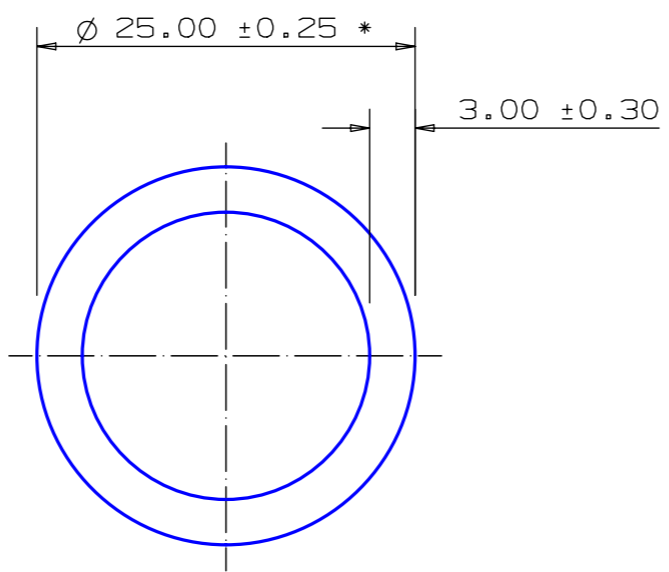
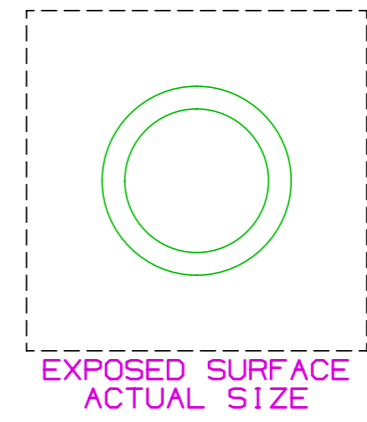


SECTION NO.  
**950-060**



- \* FLATNESS 0.30mm / 100mm
- \* ANGULARITY 1°
- \* STRAIGHTNESS 0.60mm / 300mm
- \* TWIST 1.00° / 300mm 7° max

\* = 1/2 STANDARD TOLERANCE

SECTION IS SUITABLE FOR LR6082 T6  
APPLICATIONS FOR SYDNEY PRESS ONLY

SECTION IS SUITABLE FOR NV6082 T6  
APPLICATIONS FOR SYDNEY PRESS ONLY

MOMENTS OF INERTIA:  
 $I_{xx} = 12\,778\text{ mm}^4$   
 $I_{yy} = 12\,778\text{ mm}^4$   
 $RadG_x = 8\text{ mm}$   
 $RadG_y = 8\text{ mm}$   
 $XC_{Right} = 12.50\text{ mm}$   
 $XC_{Left} = 12.50\text{ mm}$   
 $YC_{top} = 12.50\text{ mm}$   
 $YC_{bot} = 12.50\text{ mm}$   
 $Z_{xx_{top}} = 1\,022\text{ mm}^3$   
 $Z_{xx_{bot}} = 1\,022\text{ mm}^3$   
 $Z_{yy_{right}} = 1\,022\text{ mm}^3$   
 $Z_{yy_{left}} = 1\,022\text{ mm}^3$

0.40 RADIUS ON ALL OUTSIDE CORNERS  
UNLESS OTHERWISE SPECIFIED

EXTRUDED FINISH : ARCHITECTURAL

CUSTOMER DRAWING APPROVAL  
 This drawing has been checked for ALL design requirements and approved.  
 G.James Extrusion Co. Pty Ltd shall not be responsible for product design,  
 product use or any infringement of copyright, registered design or patent.

Customer.....Date.....  
 Eng. Design Checked by.....Date.....  
 Final Approved.....Date.....

			<b>A</b>						CUSTOMER <b>G. JAMES EXTRUSION Co.</b>			
			AREA	207.3	SQ MM			CUSTOMER PART NAME NO. <b>25 x 3.0 ROUND TUBE</b>				
			WEIGHT	0.562	KG M			SCALE <b>2:1</b>				
			PERIMETER	138.2	MM			TOLERANCES IN ACCORDANCE WITH AS/NZS 1866:1997 APPLY UNLESS OTHERWISE SPECIFIED				
			ANOD PERIM	78.5	MM			DRAWN		CHECK	DATE	DWG. NO.
			PAIN PERIM	100.0	MM			<b>JWC</b>			<b>06/04/87</b>	<b>950-060</b>
			POLISH PERIM	0.0	MM							
			C CIRCLE DIA	25	MM							
			FACTOR	246								
			ALLOY	6063								
			TEMPER	T6								
2	27/08/18	SPG	"LLOYD'S REGISTER" NOTE ADDED C/N 11755									
1	26/03/12	SPG	"DNV" NOTE ADDED C/N 9211									
NO	DATE	DR	REVISION									

© Copyright  
 This drawing is the property of G.James  
 Extrusion Co Pty Ltd. It must not be copied or  
 shown to third parties without written consent

**G.JAMES** Aluminium Products  
 G.James Extrusion Co Pty Ltd  
 ABN 95 010 828 234  
 P +61 7 3877 2833 F +61 3877 2890  
 www.gjames.com

Defining  
Spaces