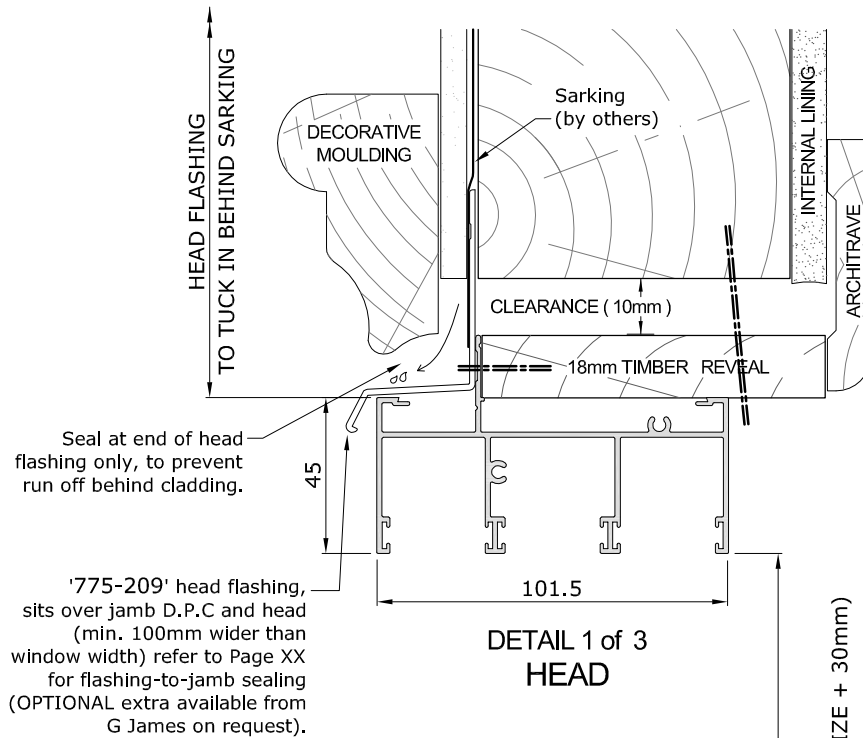


**246 SERIES 3-TRACK SLIDING DOOR (101mm FRAME)  
CLAD WALL CONSTRUCTION - FIBRE CEMENT SHEET**

1 of 2



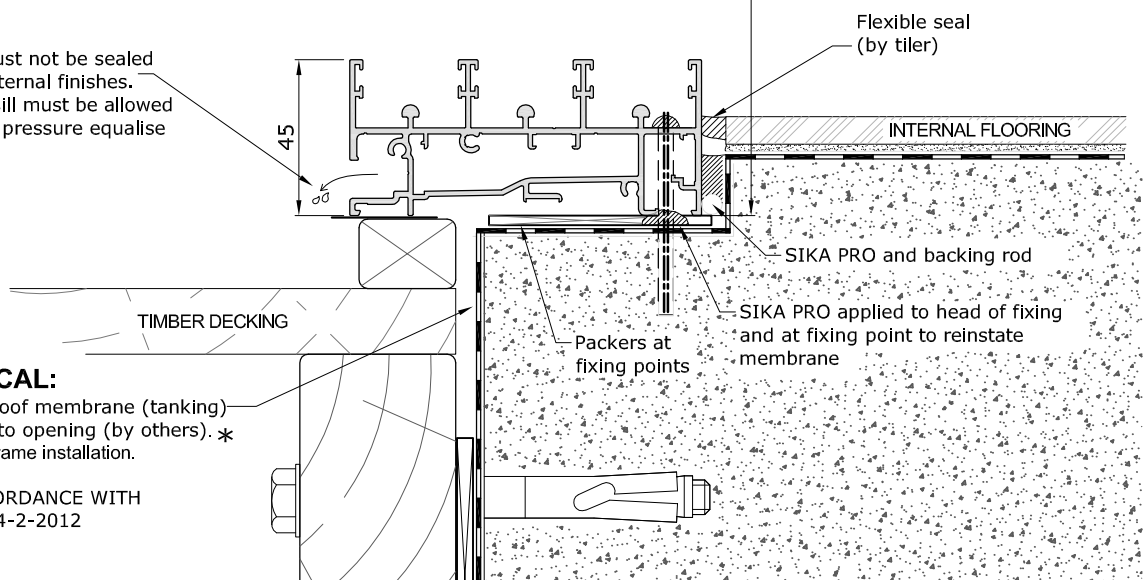
**CRITICAL:**

Outside of sill must not be sealed or blocked by external finishes. Area under the sill must be allowed to freely drain + pressure equalise

**CRITICAL:**

Waterproof membrane (tanking) applied to opening (by others). \* Prior to frame installation.

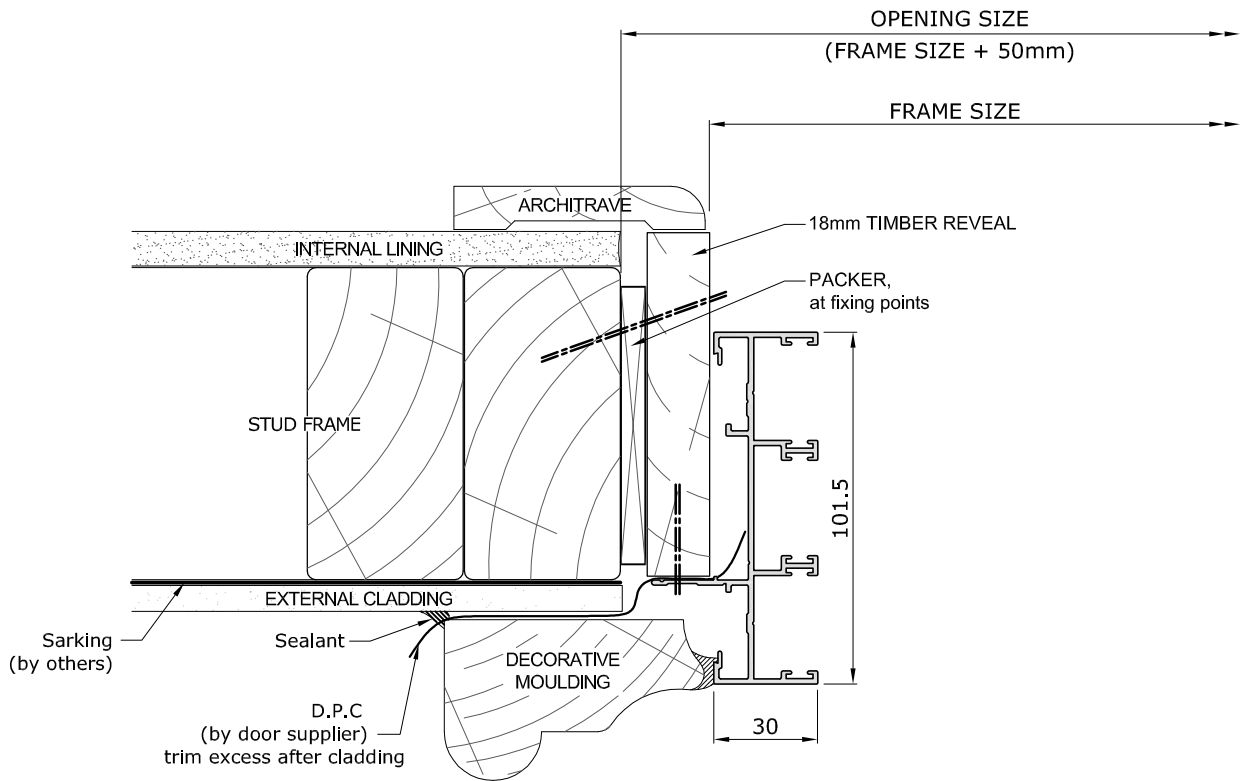
\* IN ACCORDANCE WITH AS:4654-2-2012



- ▷ G.James considers the area under a sill to be a wet area, therefore the concrete must be waterproofed with a suitable tanking membrane. The front of this area is to be left open for drainage and pressure equalisation.
- ▷ Fixings shown are for illustration purposes only. All fixings to be assessed by a G.James Engineer to suit the design criteria of the project.
- ▷ Sill must be level side-to-side, front-to-back, and supported at fixing points.

**246 SERIES 3-TRACK SLIDING DOOR (101mm FRAME)  
CLAD WALL CONSTRUCTION - FIBRE CEMENT SHEET**

2 of 2



**DETAIL 3 of 3  
JAMB**

▷ Fixings shown are for illustration purposes only. All fixings to be assessed by a G.James Engineer to suit the design criteria of the project.

**246 SERIES 3-TRACK SLIDING DOOR (101mm FRAME)  
CLAD WALL CONSTRUCTION - FIBRE CEMENT SHEET - FLASHING DETAIL**

