

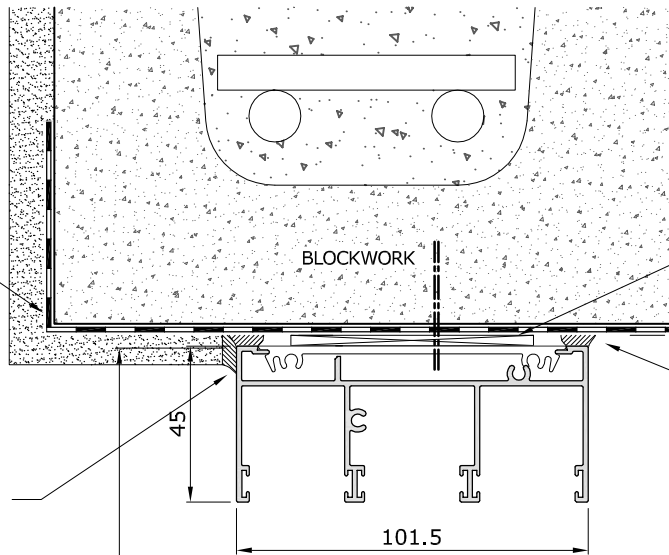
**246 SERIES 3-TRACK SLIDING DOOR (101mm FRAME)
CONCRETE BLOCK CONSTRUCTION - HARD FIX METHOD**

1 of 2

CRITICAL:

Waterproof membrane (tanking) applied to opening before fixing door (by others). * Prior to frame installation.

* IN ACCORDANCE WITH AS:4773-1-2015



Break between render and window, to be filled with sealant for thermal expansion (by builder / others). *

* IN ACCORDANCE WITH AS:2047-2014

Packing as required at fixings, minimum 3mm thick.

Sealant to inside & outside. Angle may be used if opening is out of tolerance.

DETAIL 1 of 3
HEAD

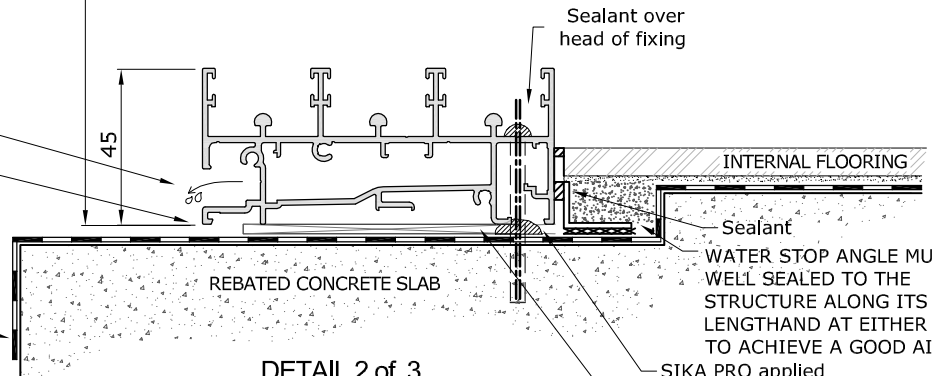
CRITICAL:

-Outside of sill must not be sealed or blocked by external finishes.
-Area under the sill must be allowed to freely drain + pressure equalise

CRITICAL:

Waterproof membrane (tanking) applied to opening (by others). * Prior to frame installation.

* IN ACCORDANCE WITH AS:4654-2-2012



DETAIL 2 of 3
SILL

INTERNAL FLOORING

Sealant

WATER STOP ANGLE MUST BE WELL SEALED TO THE STRUCTURE ALONG ITS FULL LENGTH AND AT EITHER END TO ACHIEVE A GOOD AIR SEAL

SIKA PRO applied to reinstate membrane
Packers at fixing points

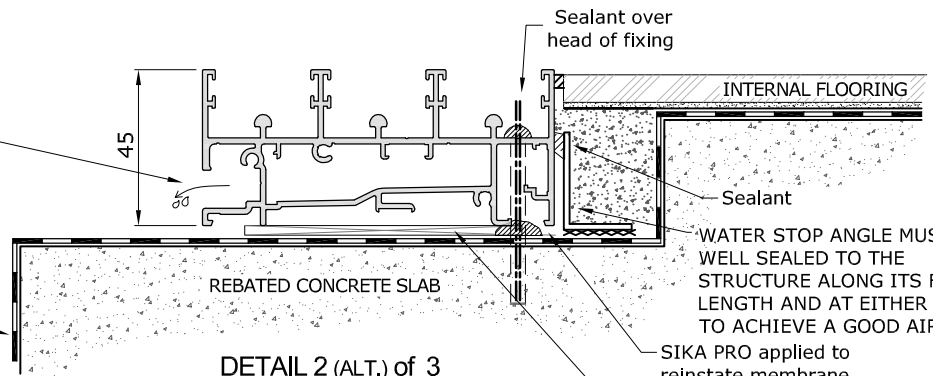
CRITICAL:

Outside of sill must not be sealed or blocked by external finishes.
Area under the sill must be allowed to freely drain + pressure equalise

CRITICAL:

Waterproof membrane (tanking) applied to opening (by others). * Prior to frame installation.

* IN ACCORDANCE WITH AS:4654-2-2012



DETAIL 2 (ALT.) of 3
FLUSH REBATE SILL

INTERNAL FLOORING

Sealant

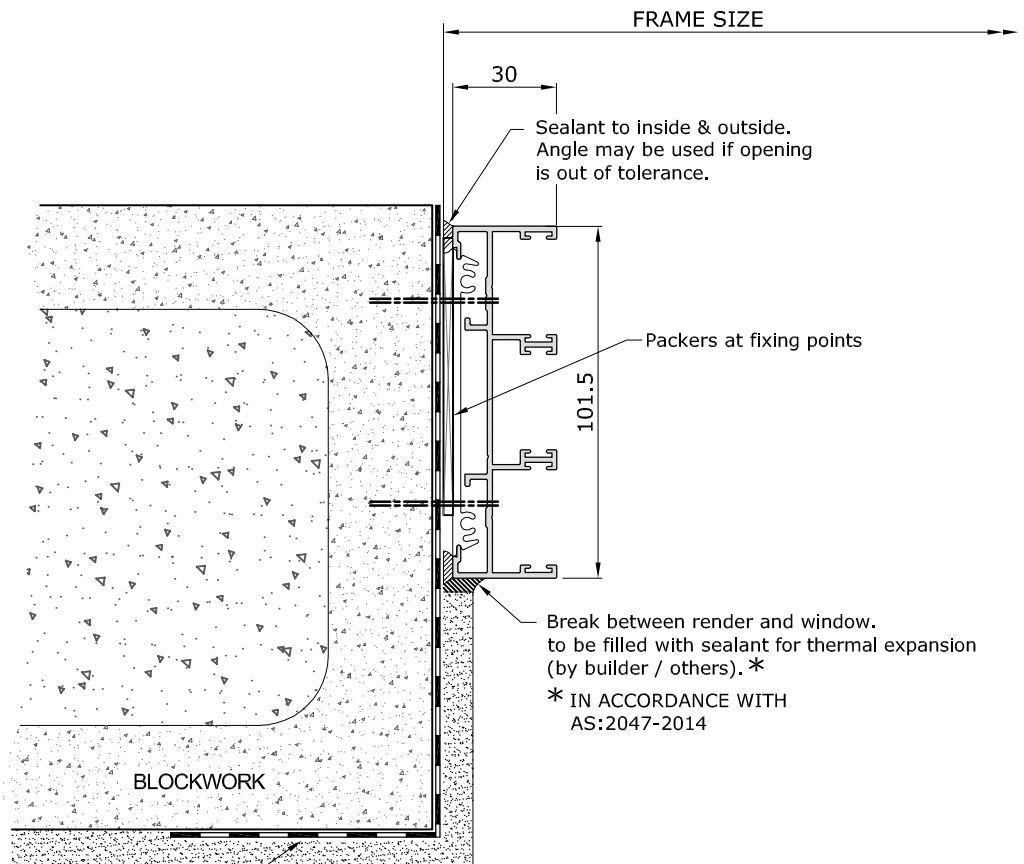
WATER STOP ANGLE MUST BE WELL SEALED TO THE STRUCTURE ALONG ITS FULL LENGTH AND AT EITHER END TO ACHIEVE A GOOD AIR SEAL

SIKA PRO applied to reinstate membrane
Packers at fixing points

- ▷ G.James considers the area under a sill to be a wet area, therefore the concrete must be waterproofed with a suitable tanking membrane. The front of this area is to be left open for drainage and pressure equalisation.
- ▷ Fixings shown are for illustration purposes only. All fixings to be assessed by a G.James Engineer to suit the design criteria of the project.
- ▷ Sill must be level side-to-side, front-to-back, and supported at fixing points.

**246 SERIES 3-TRACK SLIDING DOOR (101mm FRAME)
CONCRETE BLOCK CONSTRUCTION - HARD FIX METHOD**

2 of 2



DETAIL 3 of 3
JAMB

CRITICAL:
Waterproof membrane (tanking)
applied to opening (by others). *
Prior to frame installation.
* IN ACCORDANCE WITH
AS:4773-1-2015

- ▷ G.James considers the area under a sill to be a wet area, therefore the concrete must be waterproofed with a suitable tanking membrane. The front of this area is to be left open for drainage and pressure equalisation.
- ▷ Fixings shown are for illustration purposes only. All fixings to be assessed by a G.James Engineer to suit the design criteria of the project.