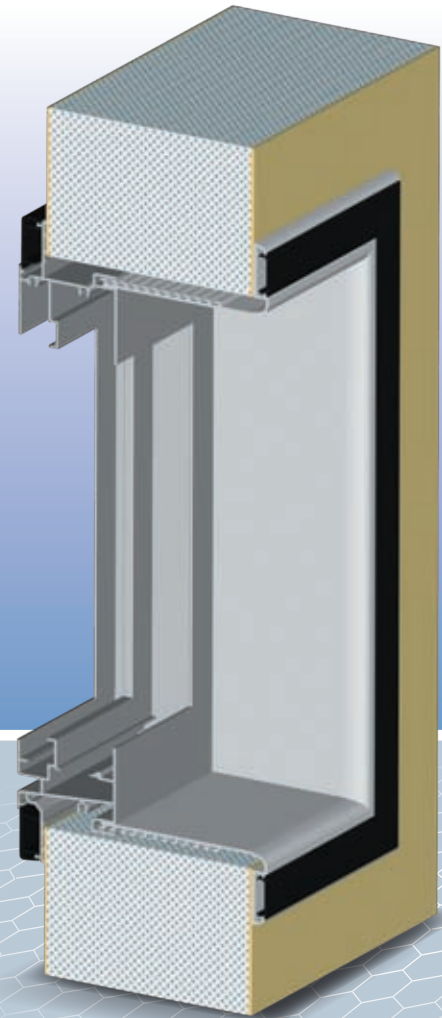
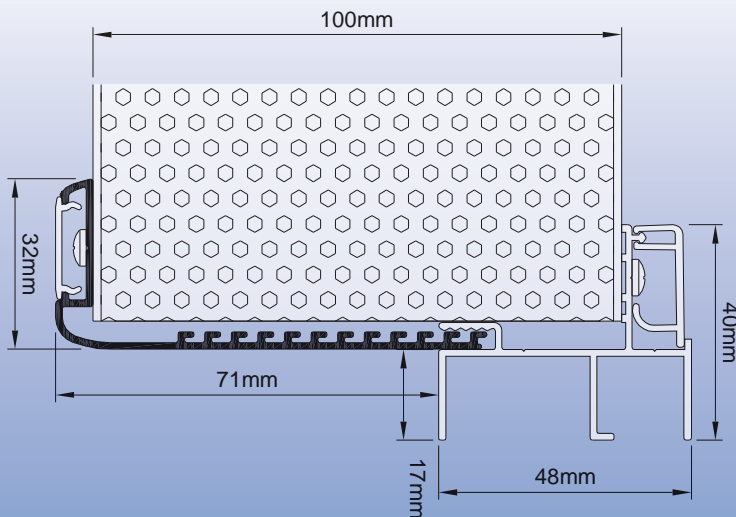


FACE FIX SLIDING WINDOWS



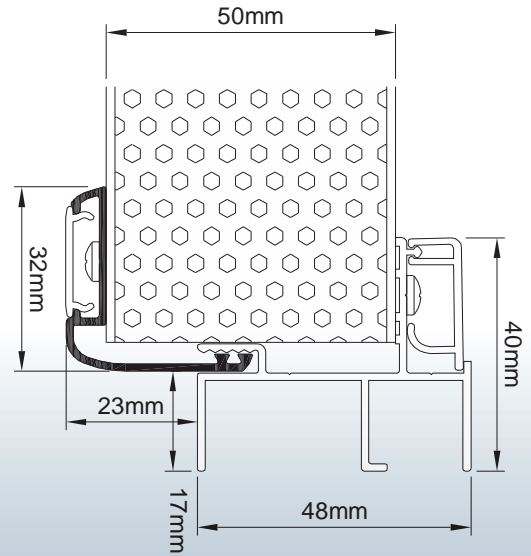
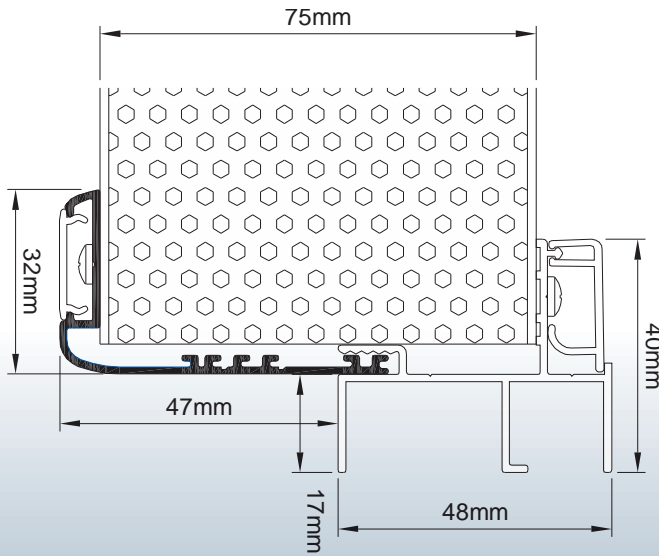
WINDOW FEATURES

- Pre-painted (or powder coated) internal aluminium trims provide turn-key ready architraves. A range of adjustable trims cater for wall thicknesses from 43mm up to 134mm.
- Internal and external PVC trims conceal all fixings.
- Fly, barrier and Crimsafe screens can be fitted to openable window areas. A 'flush' external mullion is available for screening a total window area.
- 150, 300 & 450 Pascal water rated sills available.
- A selection of interlocking mullion combinations satisfy a range of structural performance requirements (up to a maximum 4.0 kPa.).
- Pivot action, self-latching handle located at the mullion means easy access and convenience when opening.
- Height adjustable roller incorporates stainless steel ball bearings and a large 16mm dia. nylon wheel promote a smooth sliding action and long term performance.
- A rigid PVC inlay restricts the accumulation of dirt and other matter in the sill cavity and acts as a baffle for improved drainage.
- Sash framing accommodates 3mm up to 16mm glass.
- Acoustic upgrades are available up to a maximum of 30 STC.
- Anextensive range of anodised and powder coated finishes (refer the G. James *Residential Colour Selector*).
- Forpossible configurations refer the G. James *Residential Product Selector*.

Note: the above features apply to the 131 Series Face Fix Sliding Window. For features relating to other window products shown in this brochure please contact your G. James representative.

FACE FIX SLIDING WINDOWS

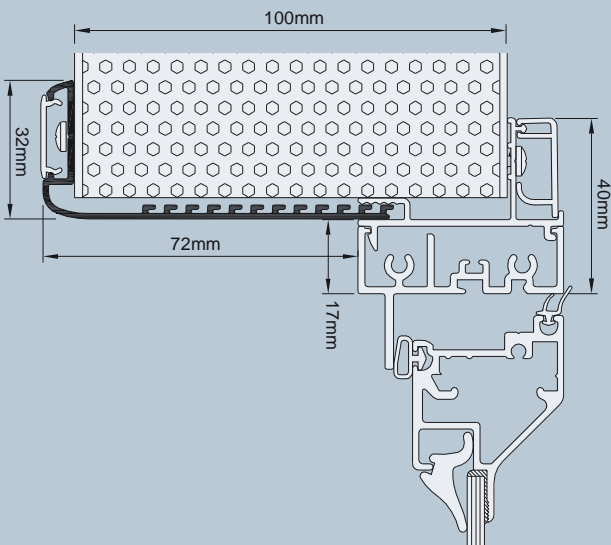
ALTERNATIVE TRIM OPTIONS



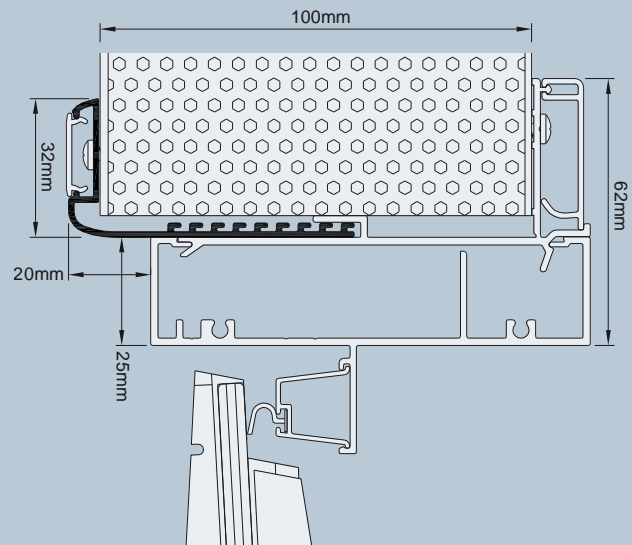
Note: Trims to accommodate other panel thicknesses are available upon request.

OTHER FACE FIX WINDOW PRODUCTS

48mm Framed Awning / Casement Window



101mm Framed Louvre Window



Note: Double hung and fixed windows are also available.

G. James
glass & aluminium

Ph 132 877



www.gjames.com.au

Queensland

Logan City
Eagle Farm
Capalaba
Caboolture

Ipswich
Gold Coast
Toowoomba
Sunshine Coast

Gympie
Hervey Bay
Bundaberg
Gladstone

Rockhampton
Mackay
Townsville
Cairns

New South Wales

Sydney
Lismore
Newcastle

Port Macquarie
Taree

© G.James & the G.James logo are registered trademarks of G.James Pty. Ltd. © 2007 G.James Australia Pty. Ltd. All rights reserved. Due to continual product development G.James reserves the right to change, alter or delete any aspect of this product without notice.