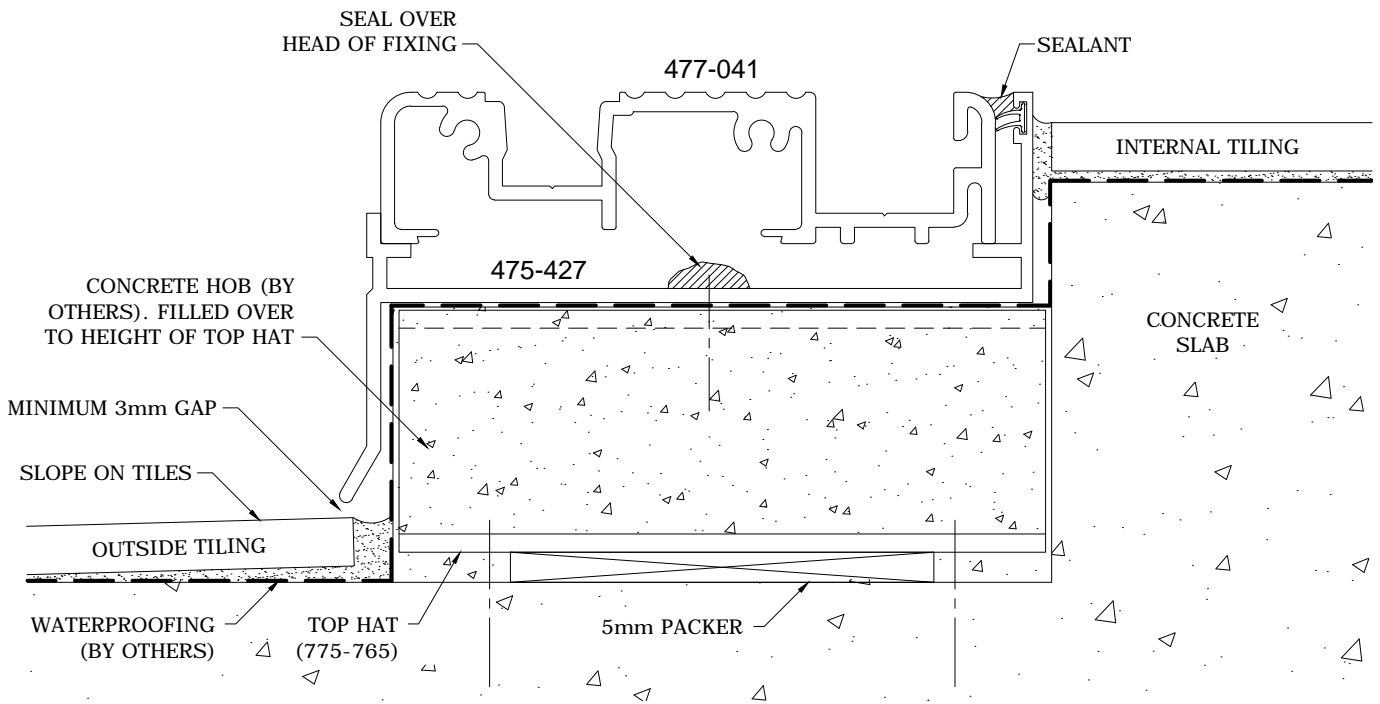
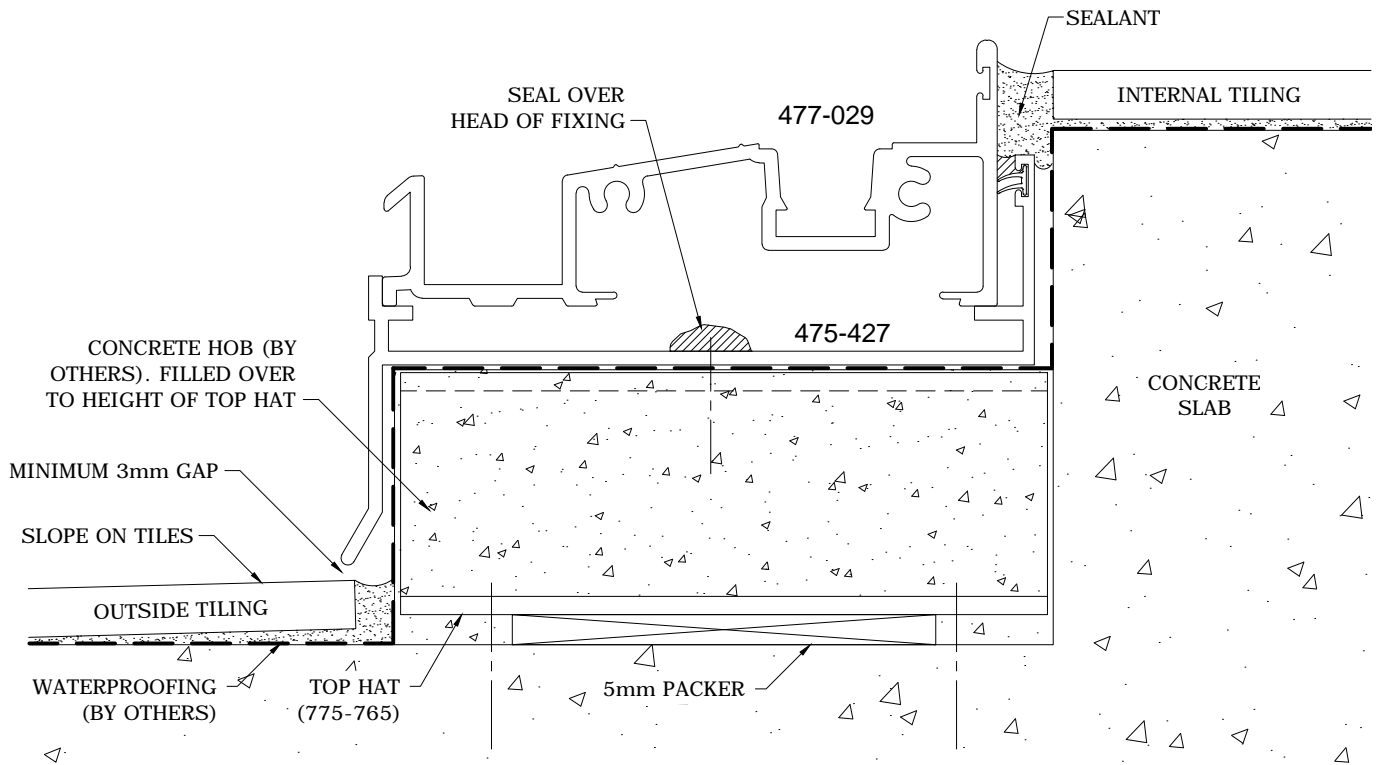


**FORMED CONCRETE CONSTRUCTIONS - 102mm FRAMED PRODUCTS
477 SERIES INSWING BI-FOLD SILL WITH SUB-SILL INSTALLATION**



SILL DETAIL

**FORMED CONCRETE CONSTRUCTIONS - 102mm FRAMED PRODUCTS
477 SERIES OUTSWING BI-FOLD SILL WITH SUB-SILL INSTALLATION**



SILL DETAIL