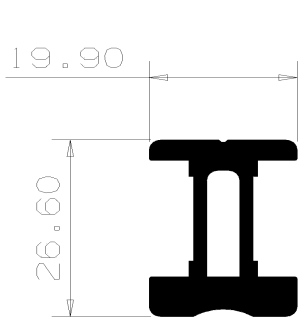
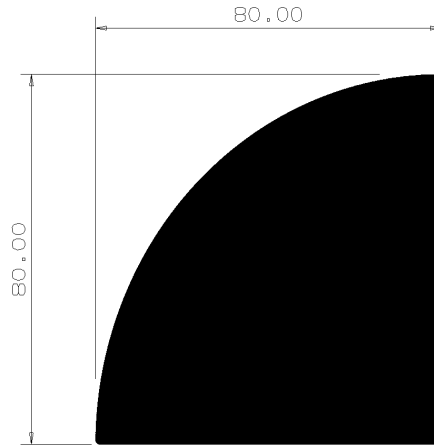


GENERAL – STRUCTURAL

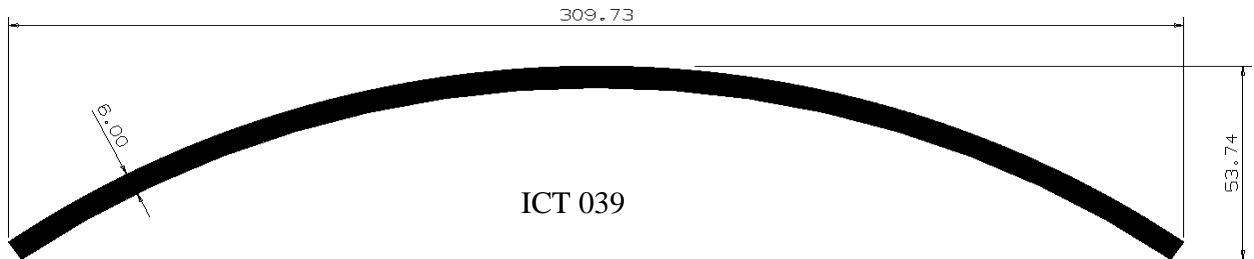
SECTION NUMBER	DESCRIPTION	MASS KG/M	X VALUE MM ⁴	Y VALUE MM ⁴	APPL
ICT 011	TRACK	0.677	22,732	6,524	S
985 042	TRANSITION JOINT	13.620	2,246,870	2,246,870	S
ICT 039	JOINER -SKIRTING	5.304	414,524	16,107,097	S
ICT 041	LOUVRE BRACKET	1.870	32,539	499,818	S
985 041	HOLD DOWN	2.127	16,268	772,490	S



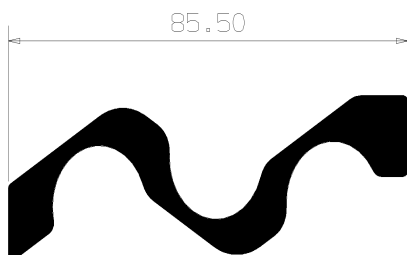
ICT 011



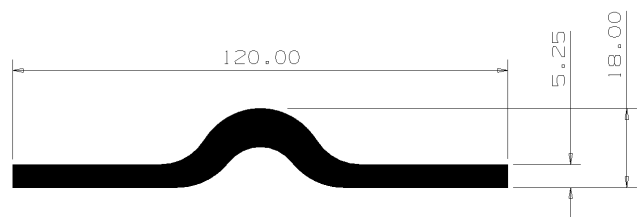
985 042



ICT 039



ICT 041

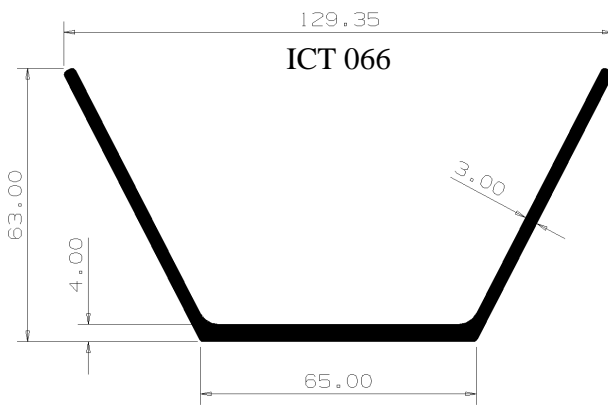
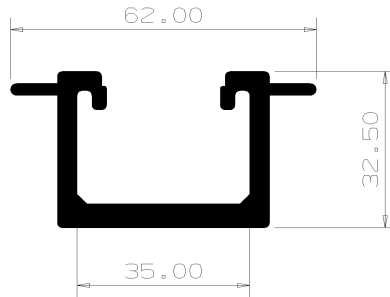


985 041

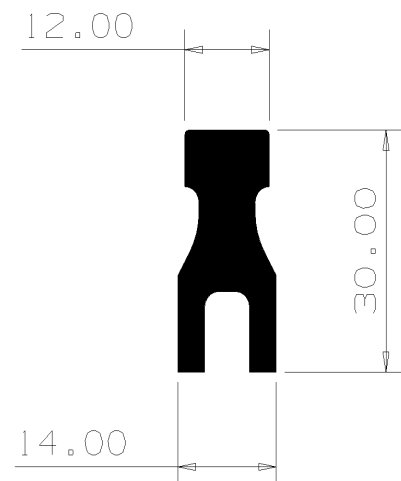
GENERAL – STRUCTURAL

SECTION NUMBER	DESCRIPTION	MASS KG/M	X VALUE MM ⁴	Y VALUE MM ⁴	APPL
ICT 059	SEAT TRACK	1.490	72,816	163,066	S
ICT 066	TOP HAT	1.810	270,601	1,058,940	S
ICT 078	JOINER -SKIRTING	0.803	21,459	4,467	S

ICT 059

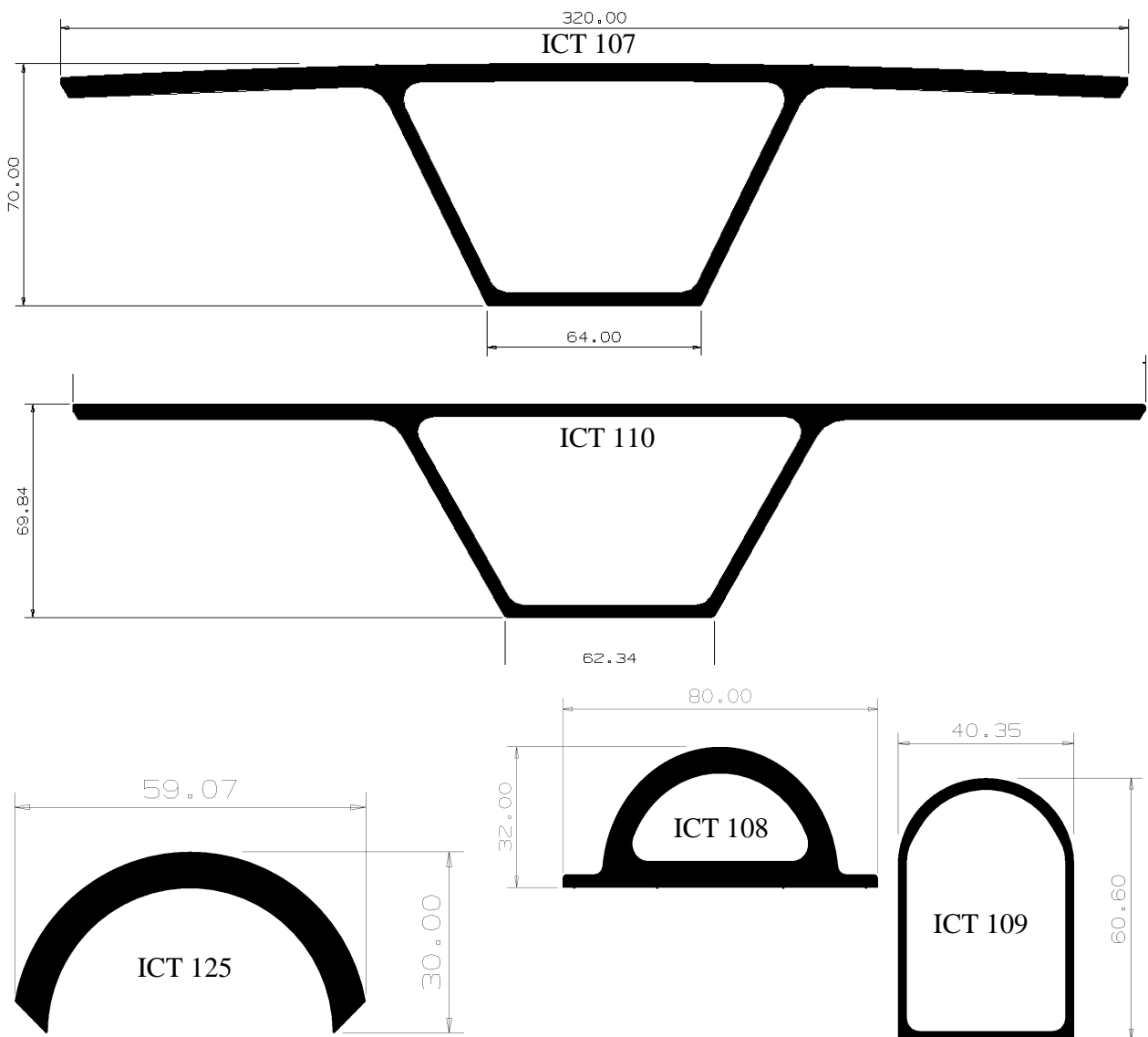


ICT 078



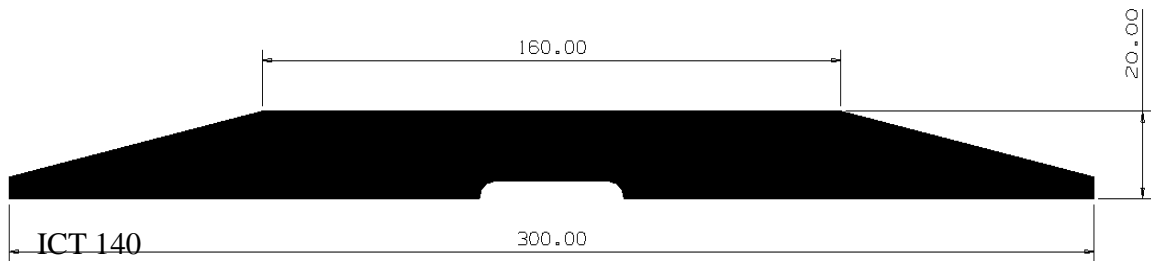
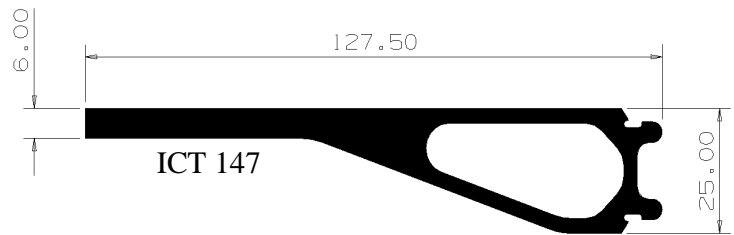
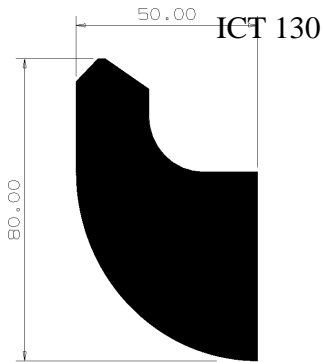
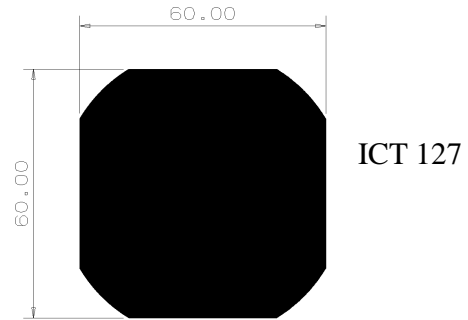
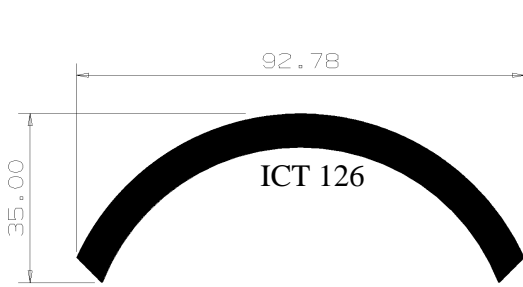
GENERAL – STRUCTURAL

SECTION NUMBER	DESCRIPTION	MASS KG/M	X VALUE MM ⁴	Y VALUE MM ⁴	APPL
ICT 107	CURVED BULK HEAD	7.137	1,352,336	17,447,269	S
ICT 108	CAR TIE DOWN	2.428	97,193	342,251	S
ICT 109	TRIM – JOINER	1.053	184,746	94,425	S
ICT 110	BULK HEAD	6.301	1,351,014	14,855,078	S
ICT 125	1/2 TUBE 30MM	1.296	28,259	163,558	S



GENERAL – STRUCTURAL

SECTION NUMBER	DESCRIPTION	MASS KG/M	X VALUE MM ⁴	Y VALUE MM ⁴	APPL
ICT 126	1/2 TUBE 51MM	2.109	62,844	609,916	S
ICT 127	SOLID JOINER	9.107	911,940	911,940	S
ICT 130	JOINER	6.899	895,232	512,460	S
ICT 140	JOINER	13.000	147,137	27,848,677	S
ICT 147	25MM DECK GUTTER	2.647	48,445	1,286,410	S



GENERAL – STRUCTURAL

SECTION NUMBER	DESCRIPTION	MASS KG/M	X VALUE MM ⁴	Y VALUE MM ⁴	APPL
985 052	JOINER – POST	7.232	418,844	1,013,677	S
985 107	TUNNEL EXTRUSION	4.485	694, 561	10, 169, 666	S
ICT 103	BULK HEAD	4.667	330,663	11,377,137	S

