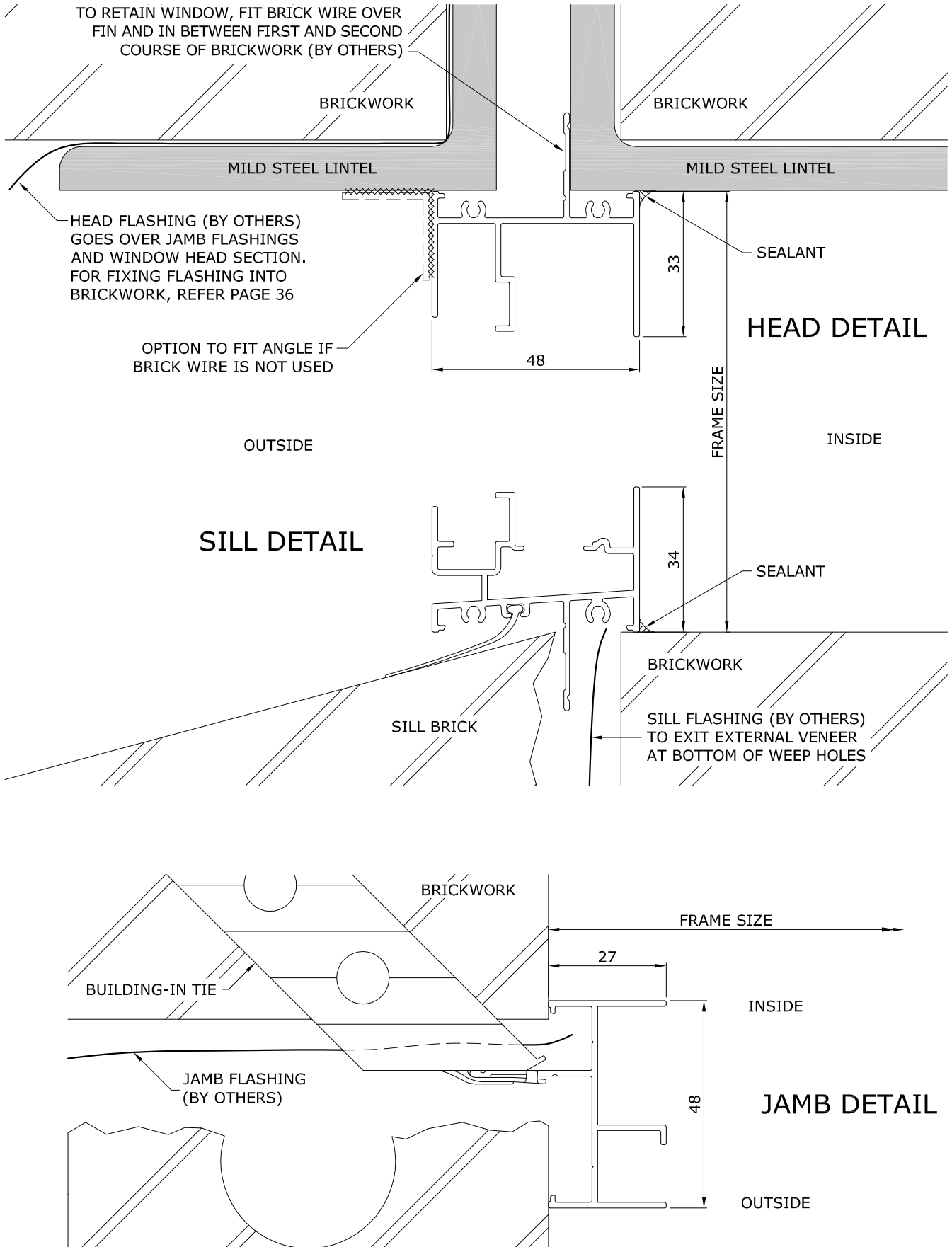
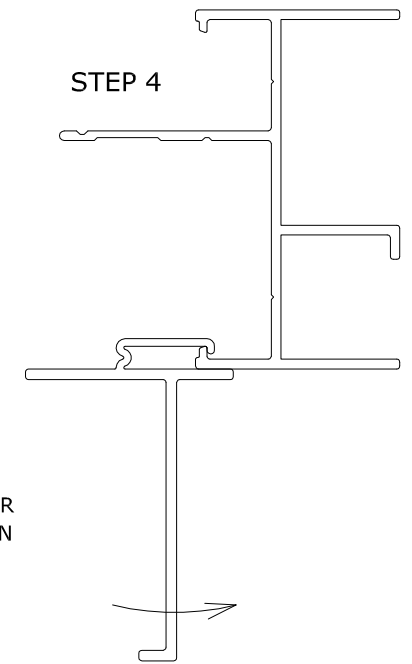
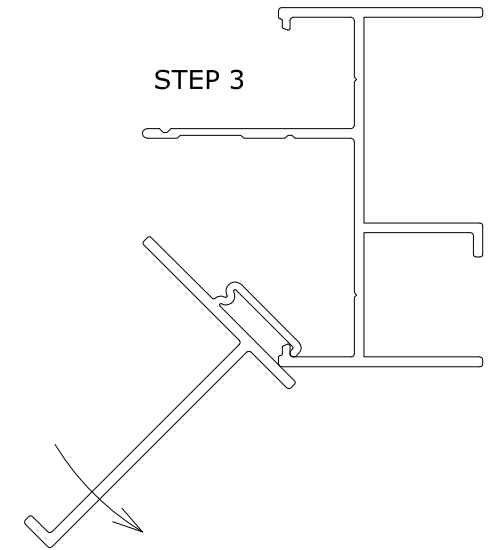
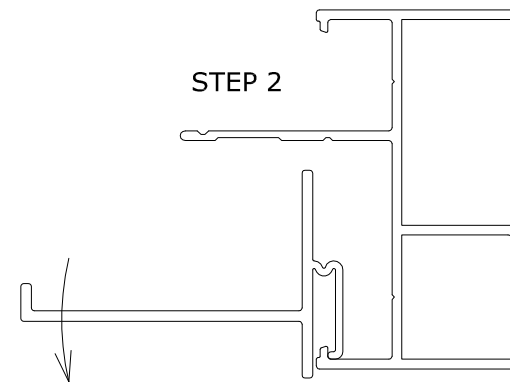
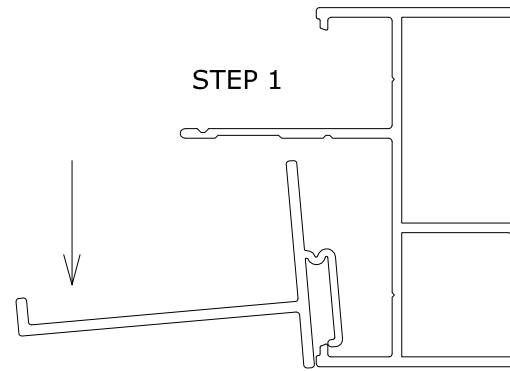
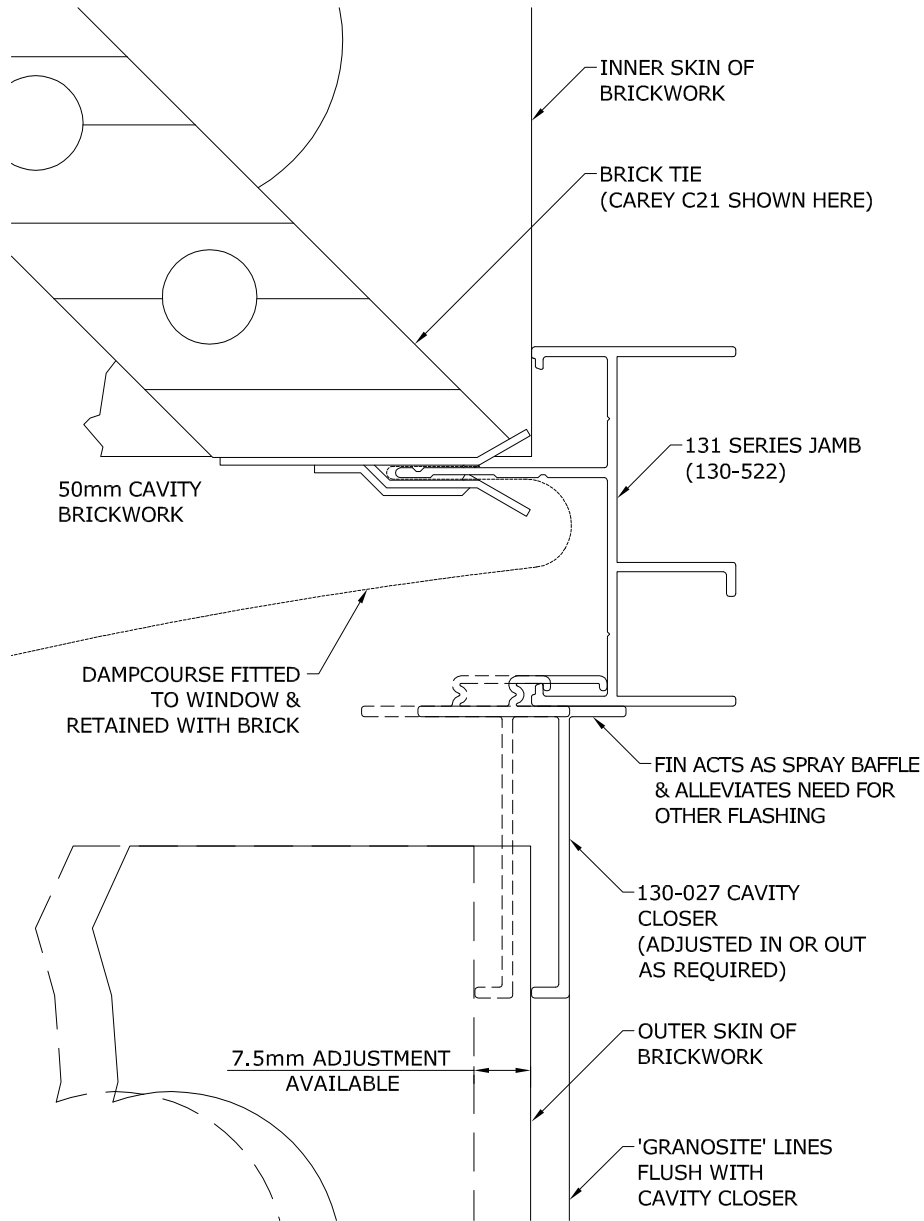


CAVITY BRICK CONSTRUCTIONS - 48mm FRAMED PRODUCTS



CAVITY BRICK CONSTRUCTIONS: CAVITY CLOSER DETAIL - 48mm FRAMED PRODUCTS



IT IS RECOMMENDED THE CAVITY CLOSER (130-027) BE FITTED AFTER THE WINDOW HAS BEEN INSTALLED AND BEFORE THE OUTER SKIN GOES UP. IN THE EVENT THE OUTER SKIN IS ALREADY UP THEN THE CAVITY CLOSER IS FITTED PRIOR TO THE WINDOW BEING INSTALLED. FIT CAVITY CLOSER AS DETAILED BELOW (4 STEPS).