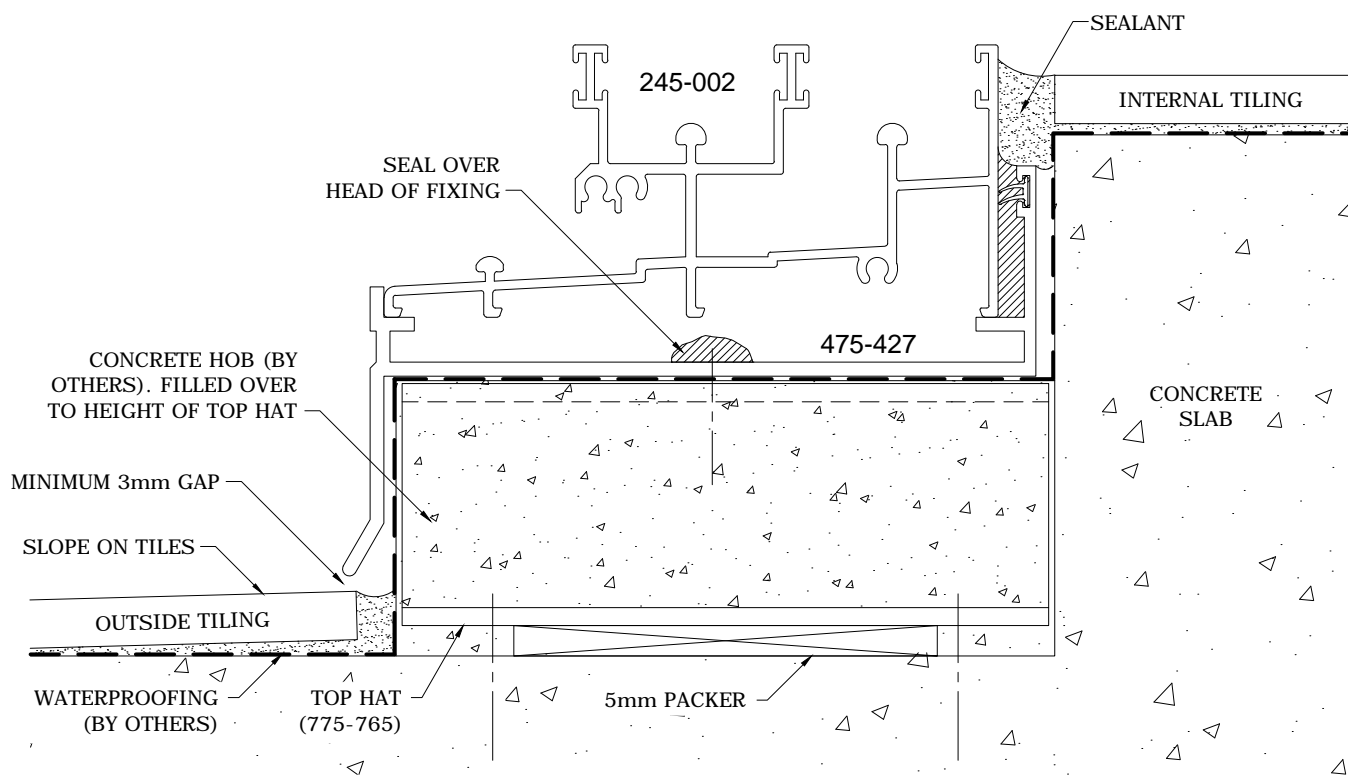


**FORMED CONCRETE CONSTRUCTIONS - 102mm FRAMED PRODUCTS  
245 SERIES SILL WITH SUB-SILL INSTALLATION**



**SILL DETAIL**